

Illustrated Parts Manual

RL205HC/207H/207HC

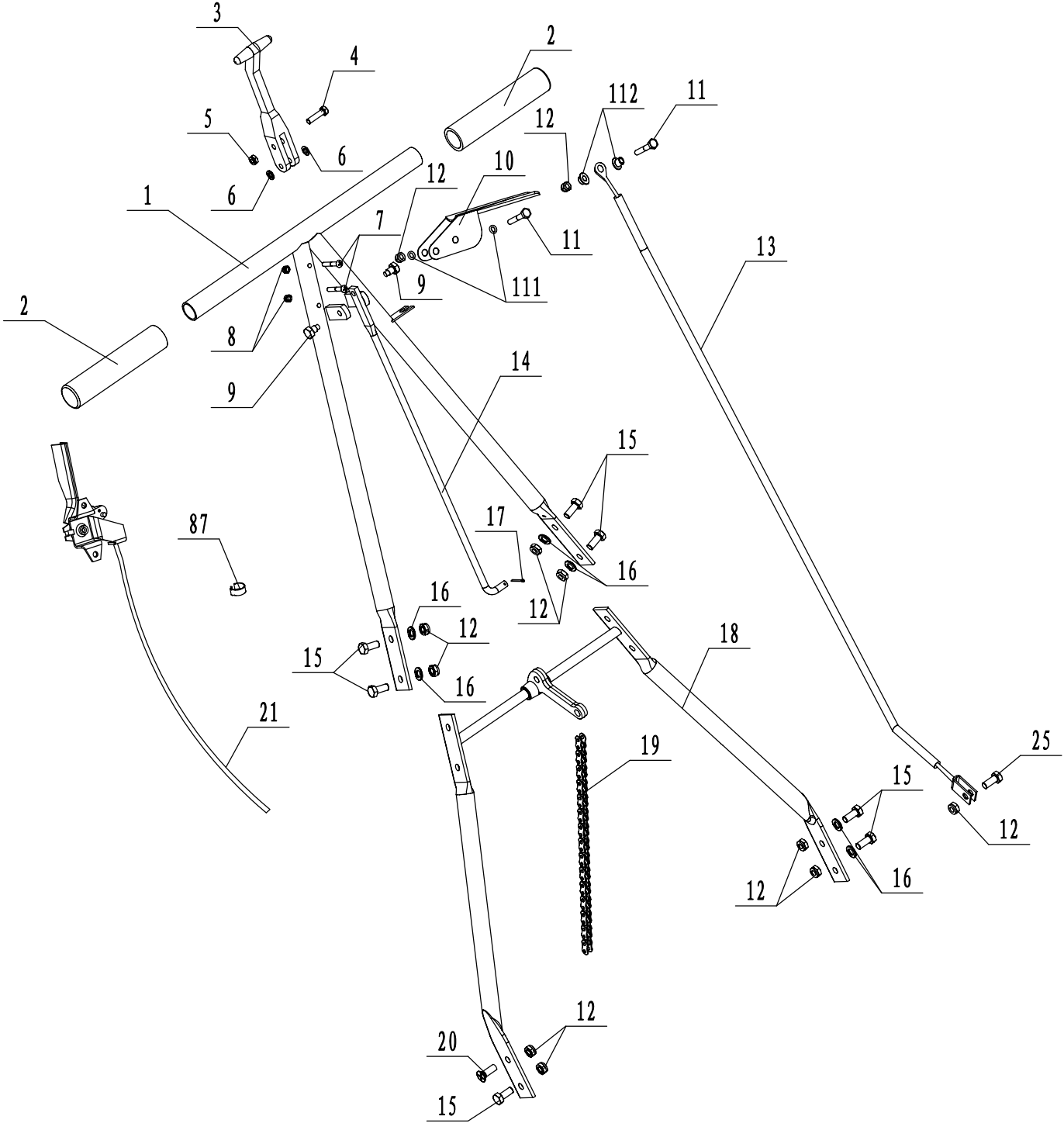
20" Homeowner Reel Mower



NOTE: This contains information for the mower parts only.
Engine parts information is available from the respective manufacturer.

EVERGREEN
TURF EQUIPMENT

1028 4th Street SW, Bldg A • Auburn, WA 98001 • Phone: (253) 333-3345 • Fax: (253) 414-1293



PARTS INFORMATION

RL205H/207H

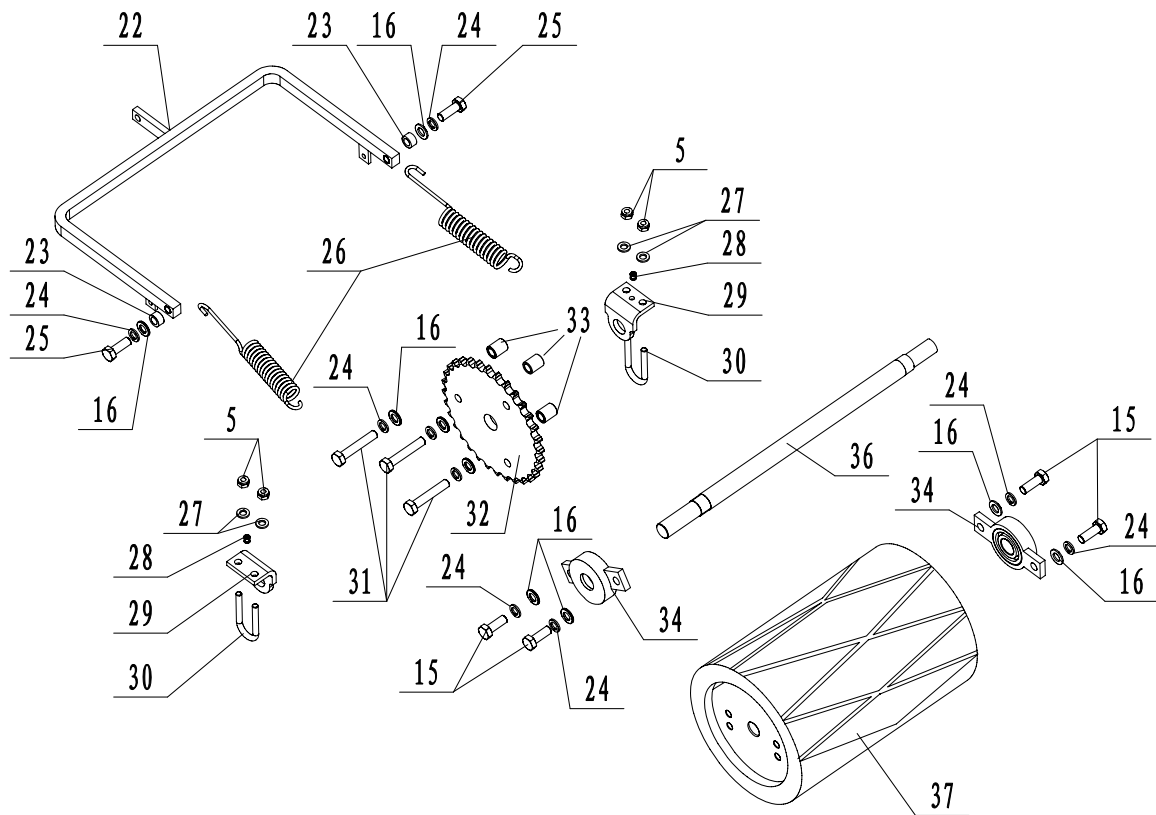
HANDLE & CONTROLS • FIGURE 1

ITEM	PART NUMBER	DESCRIPTION	QTY	COMMENTS
1	H0501T	HANDLE, TOP, HO	1	
2	25502	GRIP, HANDLE, ALL	2	
3	H0503	HANDLE, ROLLER LIFT	1	
4	905	BOLT, 1/4-28 x 1-1/4 HX G5 Z	1	
5	007	NUT, 1/4-28 NYLOCK STD	1	
6	25906	WASHER, TRUNNION BOLT	2	
7	901	SCREW, 3/16-32 x 1-1/4	2	
8	919	NUT, 3/16-32 NTE TIN NYLON Z	2	
9	H0504	BOLT, TRUNNION 5/16-18	2	
10	H0505N	LEVER, CLUTCH (HO)	1	
11	H0927	BOLT, CLUTCH HANDLE	2	
12	922	NUT, 5/16-24 THIN NYLOCK	11	
13	H0507N	CLUTCH CABLE	1	
14	25510	ROD, LIFT	1	
15	909	BOLT, 5/16-24 x 3/4 HX G5 Z	7	
16	928	WASHER, FLAT 5/16 Z	6	
17	931	COTTER PIN, 3/32 x 3/4 Z	1	
18	H0501B	HANDLE, BOTTOM, HO	1	
19	H0609	CHAIN, ROLLER LIFT, 40x30	1	#H0609-HC, 40x31 for High-Cut model
20	941	SCREW, 5/16-24 x 3/4", FLAT PHILLIPS	1	
21	H0508N	THROTTLE LEVER ASSY, HO	1	
25	910	BOLT, 5/16-24 x 7/8 HX G5 Z	1	
87	947	THROTTLE WIRE HOLDER	2	
111	H0925	NYLON WASHER, THROTTLE	2	
112	H0932	COLLAR, CLUTCH CABLE, HO	2	

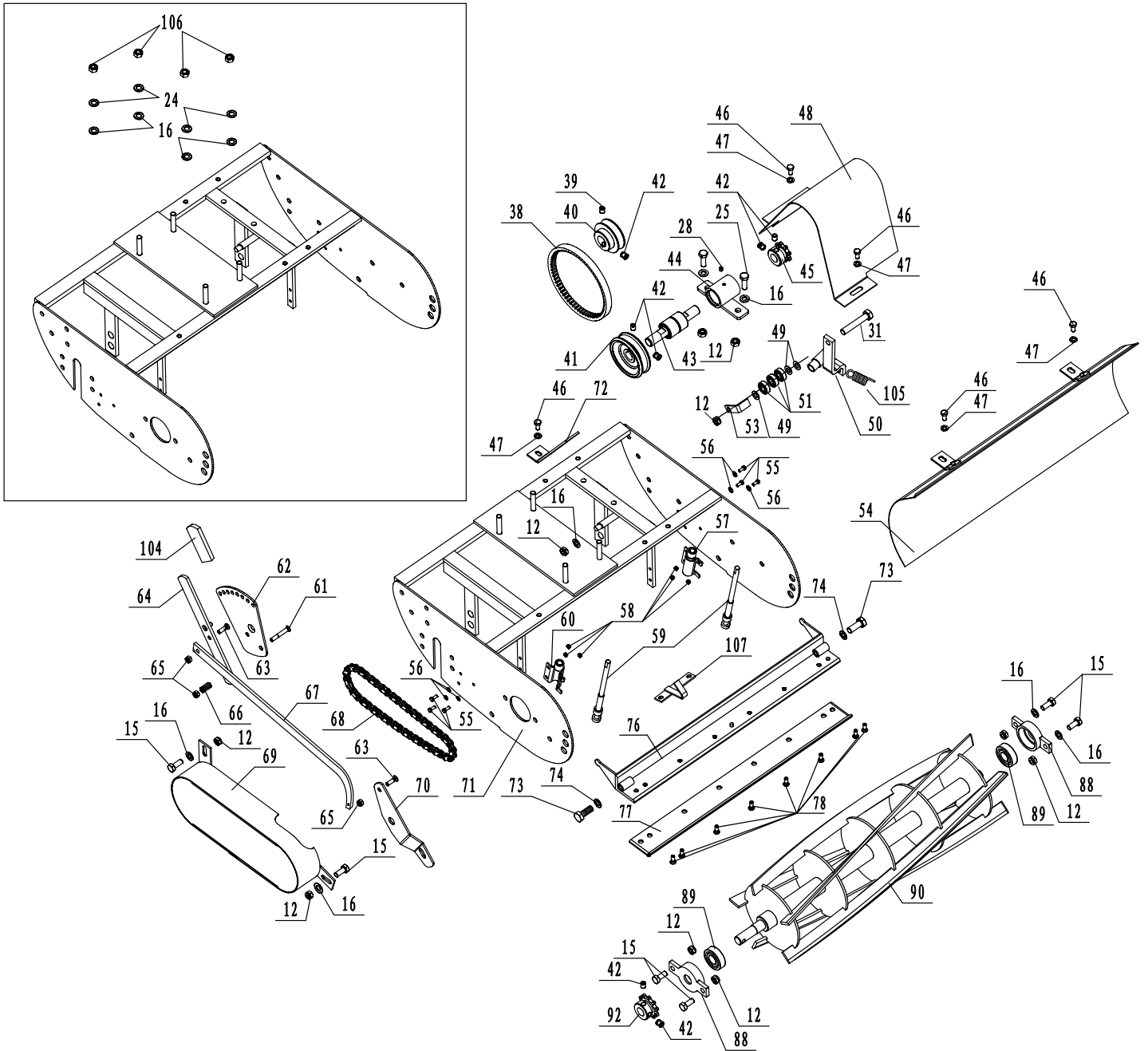
PARTS INFORMATION

RL205H/207H

ROLLER • FIGURE 2



ITEM	PART NUMBER	DESCRIPTION	QTY	COMMENTS
5	007	NUT, 1/4-28 NYLOCK STD	4	
15	909	BOLT, 5/16-24 x 3/4 HX G5 Z	4	
16	928	WASHER, FLAT 5/16 Z	9	
22	25607	ROLLER YOKE	1	
23	H0608	BUSHING, YOKE	2	
24	927	WASHER, 5/16 SPLIT LOCK	9	
25	910	BOLT, 5/16-24 x 7/8 HX G5 Z	2	
26	H0610	SPRING, ROLLER	2	
27	948	WASHER, 1/4 SAE FLAT Z	4	
28	934	SET SCREW, 1/4-20 x 1/4 SOC SET	2	
29	H0604	CLAMP, ROLLER	2	
30	603	U-BOLT 1/4-28 ROUND, W/HDWE	2	Includes #5 and #27
31	913	BOLT, 5/16-24 x 1-3/4 HX G5 Z	3	
32	25605	SPROCKET, ROLLER, LARGE, 30T	1	
33	25606	SPACER, SPROCKET	3	
34	25304	HOLDER, BEARING, 2-EAR W/NSK BRG	2	Includes bearing (#35)
35	25324	BEARING, ROLLER SHAFT	2	
36	25602	SHAFT, ROLLER	1	
37	25601	ROLLER, 9"	1	



PARTS INFORMATION

RL205H/207H

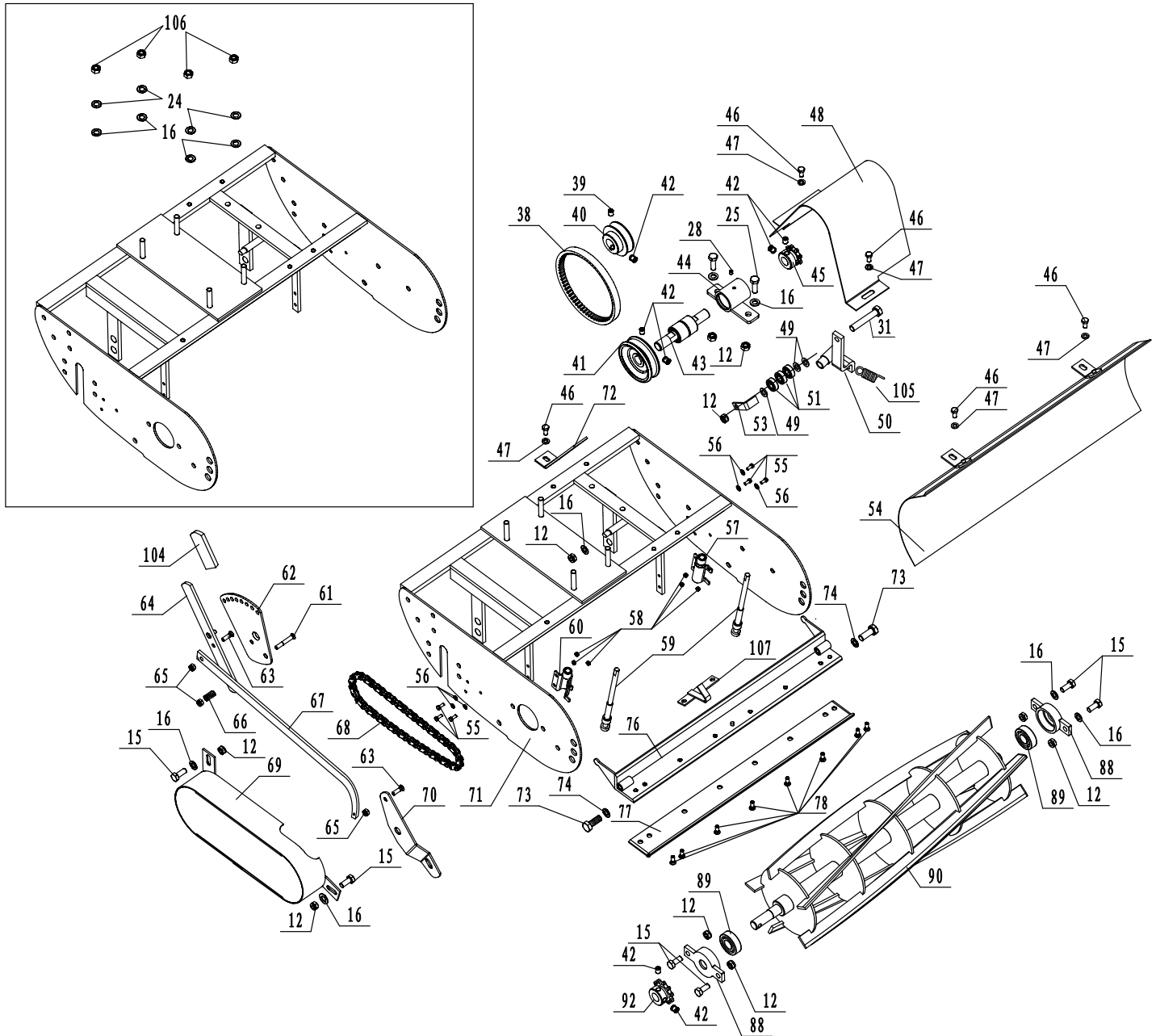
FRAME, BED KNIFE, GUARDS, BLADE & REEL • FIGURE 3

ITEM	PART NUMBER	DESCRIPTION	QTY	COMMENTS
12	922	NUT, 5/16-24 THIN NYLOCK	10	
15	909	BOLT, 5/16-24 x 3/4 HX G5 Z	6	
16	928	WASHER, FLAT 5/16 Z	13	
24	927	WASHER, 5/16 SPLIT LOCK	4	
25	910	BOLT, 5/16-24 x 7/8 HX G5 Z	2	
28	934	SET SCREW, 1/4-20 x 1/4 SOC SET	1	
31	913	BOLT, 5/16-24 x 1-3/4 HX G5 Z	1	
38	H0705	BELT, 18"	1	
39	935HD	SET SCREW, 5/16-24 x 3/8 HALF DOG	1	
40	H0931	PULLEY, ENGINE, 2" x 3/4", HO	1	
41	H0702	PULLEY, PILLOW BLOCK, 3" X 5/8", HO	1	
42	935	SET SCREW, 5/16-24 x 5/16 KNURLED	4	
43	H0707BN	PILLOW BLOCK SHAFT/BRG, HO	1	
44	H0707HN	PILLOW BLOCK HOUSING, HO	1	
45	H0309	SPROCKET, 8T x 5/8, ROLLER/JACK	1	
46	903	BOLT, 1/4-28 x 1/2 HX G5 Z	5	
47	948	WASHER, 1/4 SAE FLAT Z	5	
48	H0408N	GUARD, ENGINE BELT, HO	1	
49	H0928	WASHER, SPECIAL	3	
50	H0709N	BRACKET, CLUTCH	1	
51	H0920	BEARING, IDLER, HO	3	
53	H0712N	BELT RELEASE BRACKET	1	
54	H0402N	GRASS SHIELD, HO	1	
55	H0921	SCREW, ADJUSTER HOUSING	6	
56	H0923	WASHER, ADJUSTER HOUSING	6	
57	H0405N	BED KNIFE ADJUST BRACKET, L/H	1	
58	H0922	NUT, ADJUSTER HOUSING	6	
59	H0404N	ADJUSTING ROD (HO)	2	
60	H0406N	BED KNIFE ADJUST BRACKET, R/H	1	
61	942	SCREW, 1/4-28 x 1-1/2 PHIL FL	1	
62	H0421	BRACKET, HEIGHT ADJUST	1	
63	943	BOLT, 1/4-28 x 3/4 FL SOC P	2	
64	H0422	HANDLE, HEIGHT ADJUST	1	
65	944	NUT, 1/4-28 THIN NYLOCK	3	
66	H0425	HEIGHT ADJUST SPRING	1	
67	H0426N	CONNECTOR, CURVED	1	
68	25206	CHAIN, REEL, 20-25", 40x46	1	#25206-HC, 40x47 for High-Cut model
69	H0410	GUARD, REEL CHAIN	1	
70	H0424	BRACKET, FRONT	1	
71	H0902	FRAME ASSY, HO	1	
72	H0706N	BELT GUARD, HO	1	
73	915N	BED KNIFE MOUNTING BOLT, HO	2	
74	929	WASHER, 3/8 SAE FLAT Z	2	
76	H0401K	BED KNIFE FRAME, HO	1	Includes Bed Knife (77) and Screws (78)
77	20401	BED KNIFE, 20"	1	
78	902	SCREW, CUTTER BAR	8	
88	H0204N	BEARING HOLDER, HO	2	Bearing not included

PARTS INFORMATION

RL205H/207H

FRAME, BED KNIFE, GUARDS, BLADE & REEL • FIGURE 3

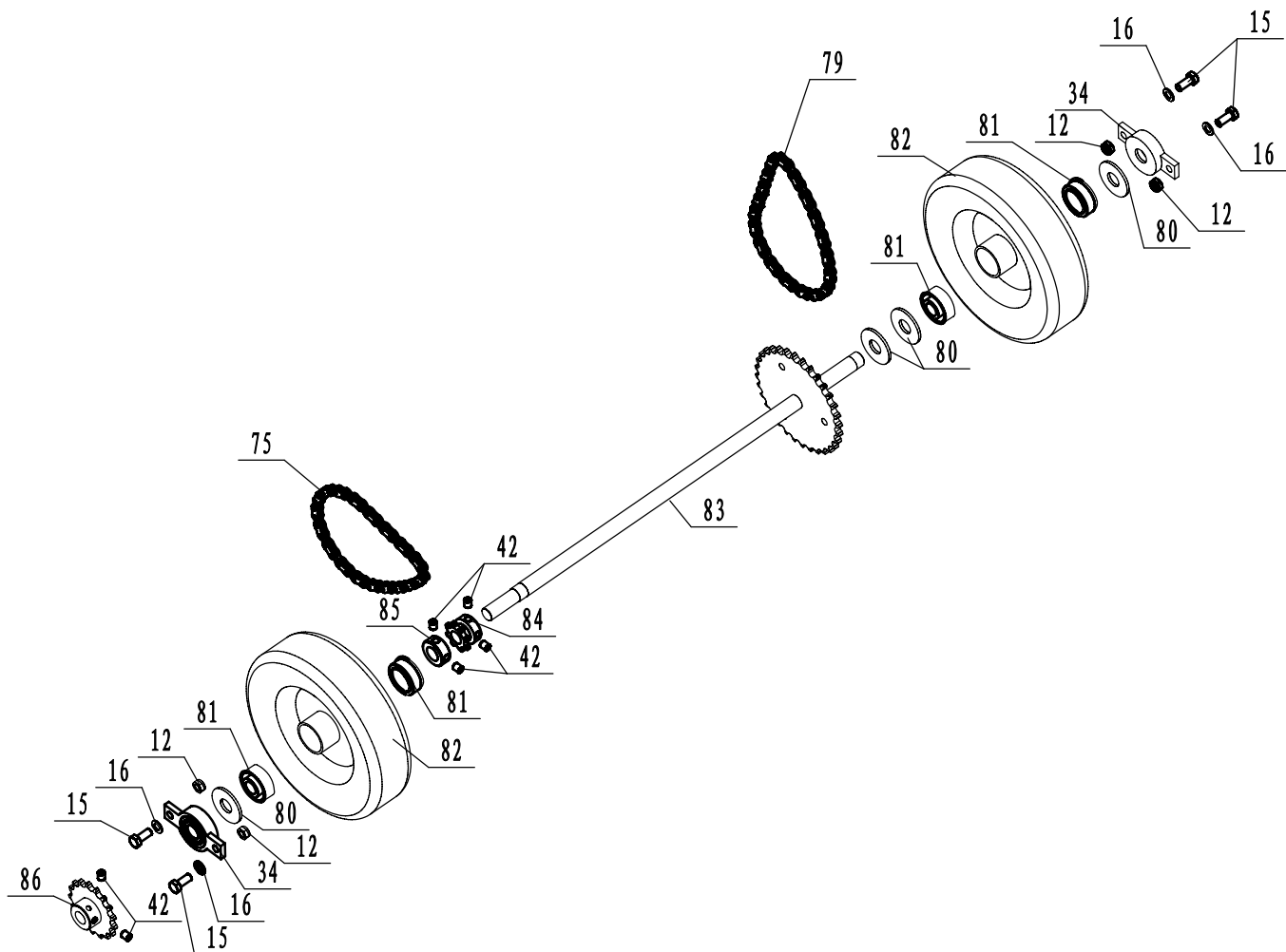


ITEM	PART NUMBER	DESCRIPTION	QTY	COMMENTS
89	H0202	BEARING, REEL	2	
90	H0201-5	BLADE, REEL, 20", 5 BLADE (HO)	1	
90	H0201-7	BLADE, REEL, 20", 7 BLADE (HO)	1	
91	H0900N	SPACER, HOMEOWNER REEL	1	
92	H0820	SPROCKET, REEL, 11T x 5/8, FRONT	1	
104	H0423	GRIP, FLAT	1	
105	H0924	RETURN SPRING	1	
106	921	NUT, 5/16-24 Z	4	
107	25803H	HOOK, CATCHER 20-25" (HONDA)	1	

PARTS INFORMATION

RL205H/207H

DRIVE SHAFT, WHEELS, REEL, CHAIN • FIGURE 4

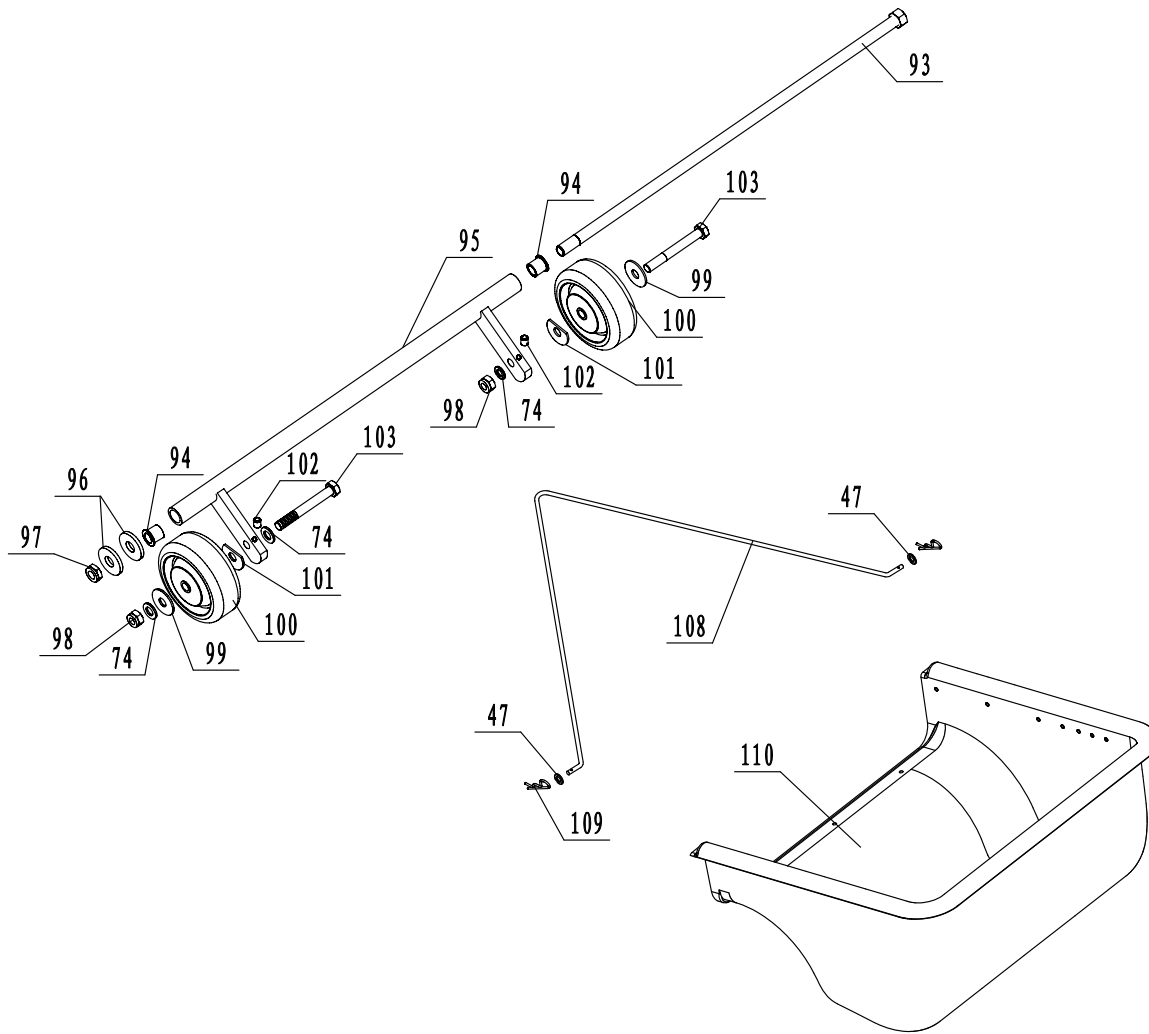


ITEM	PART NUMBER	DESCRIPTION	QTY	COMMENTS
12	922	NUT, 5/16-24 THIN NYLOCK	4	
15	909	BOLT, 5/16-24 x 3/4 HX G5 Z	4	
16	928	WASHER, FLAT 5/16 Z	4	
34	25304	HOLDER, BEARING, 2-EAR	2	Includes bearing (installed)
35	25324	BEARING, ROLLER/DRIVE SHAFT	2	
42	935	SET SCREW, 5/16-24 x 5/16 KNURLED	6	
75	H0611	CHAIN, ROLLER, 40x36, NEW HO	1	#25611-HC - 40x42 for High-Cut model
79	25611	CHAIN, DRIVE, 40x38, HO STD	1	
80	25323	WHEEL SPACER	4	
81	25307	BEARING, WHEEL	4	
82	25306	TIRE ASSY W/BEARING	2	
83	H0301N	SHAFT, DRIVE 20", 11/16", HO	1	
84	25823	SPROCKET, ROLLER, SMALL, 8T x 11/16	1	
85	25315	COLLAR	1	
86	H0310	SPROCKET, AXLE, 17T x 5/8, REAR	1	

PARTS INFORMATION

RL205H/207H

CASTERS & TIE ROD & GRASS CATCHER • FIGURE 5

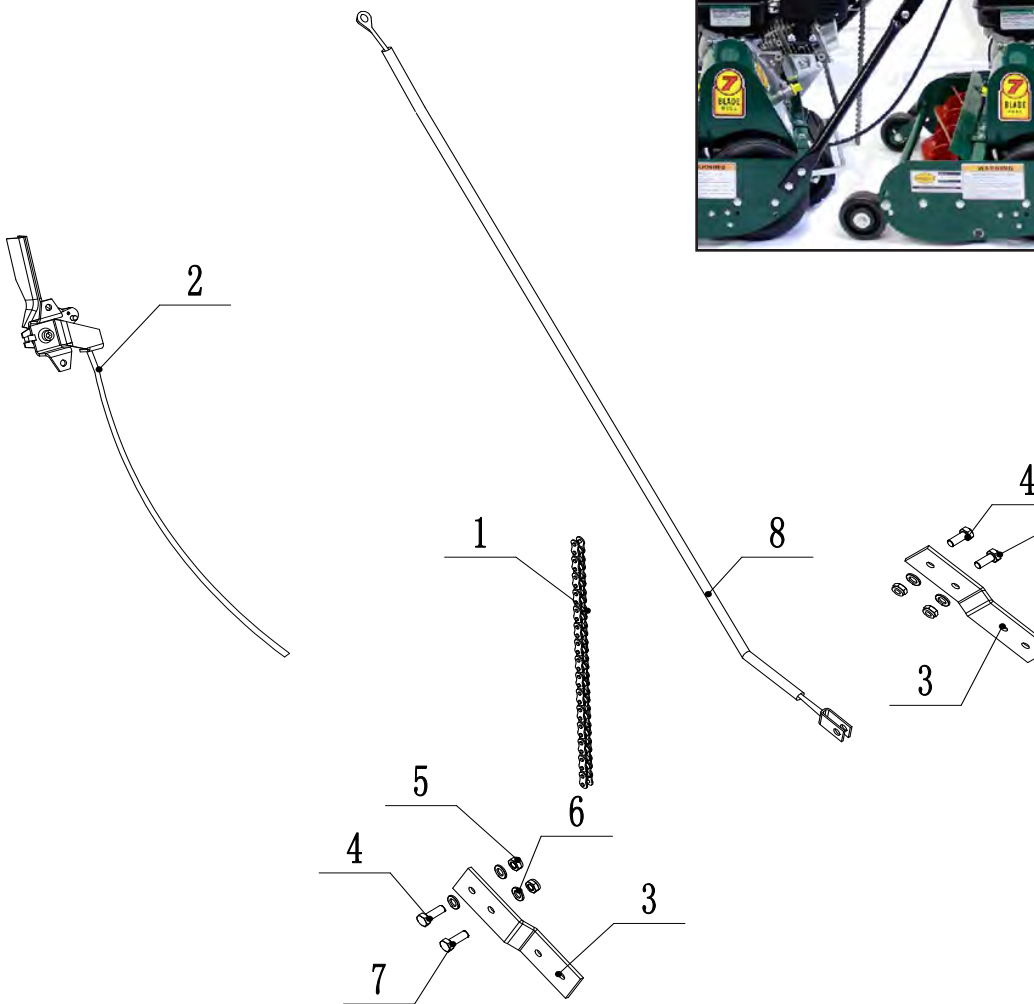


ITEM	PART NUMBER	DESCRIPTION	QTY	COMMENTS
47	948	WASHER, 1/4 SAE FLAT Z	2	
74	929	WASHER, 3/8 SAE FLAT Z	3	
93	H0403	ROD, TIE	1	
94	H0106	BUSHING, CASTER BAR	2	
95	H0101N	BRACKET, CASTER 20"	1	Includes grease fittings (installed)
96	930	WASHER, 1/2 SAE FLAT G9 Z	2	
97	924	NUT, 1/2-20 NTE NYLON Z	1	
98	908	NUT, 3/8-16 NYLOCK Z	2	
99	H0929	WASHER, SPECIAL	2	
100	25102-2	CASTER SET (2)	1	
100	25102-2D	CASTER SET, DARNELL (2)	1	Optional
101	H0930	WASHER, SPECIAL	2	
102	H0207	FITTING, GREASE, M6 x 1	2	
103	917	BOLT, CASTER AXLE, 20"	2	
108	H0802	BAIL, GRASS CATCHER	1	
109	960	PIN, CLEVIS (CATCHER)	2	
110	20801	GRASS CATCHER KIT, 20"	1	Includes mounting hardware

PARTS INFORMATION

RL205H/207H

OPTIONAL HANDLE EXTENSION KIT • FIGURE 6



ITEM	PART NUMBER	DESCRIPTION	QTY	COMMENTS
0	HEK-HO	HANDLE EXTENSION KIT	1	Fits 20" Classic Only (not older Home Model)
1	H0609L	ROLLER LIFT CHAIN, HI-CUT, 40x40	1	
2	H0508NL	THROTTLE LEVER ASS'Y, HI-CUT	1	
3	HEK-102	BRACKET, HANDLE EXTENSION, ALL	2	
4	909	BOLT, 5/16-24 x 3/4 HX G5 Z	3	
5	922	NUT, 5/16-24 THIN NYLOCK	4	
6	928	WASHER, FLAT 5/16 Z	4	
7	910	BOLT, 5/16-24 x 7/8 HX G5 Z	1	
8	H0507NL	CLUTCH CABLE, HI-CUT	1	

20" Front Rollers



FR-20 Smooth

FRG-20 Grooved

The front roller replace the standard caster wheels and provides a few advantages. First, this adds additional weight to the front of the mower for more stable tracking which is helpful for rougher yards. It also minimizes uneven cut from low spots and allows the mower to hang over the lawn edges and flower beds for extra close cuts. They are made of hard plated steel and have large sealed ball bearing for long life durability

Back-Lapping Kits



H0907

Requires a reversible drill and a 1/2" socket adapter

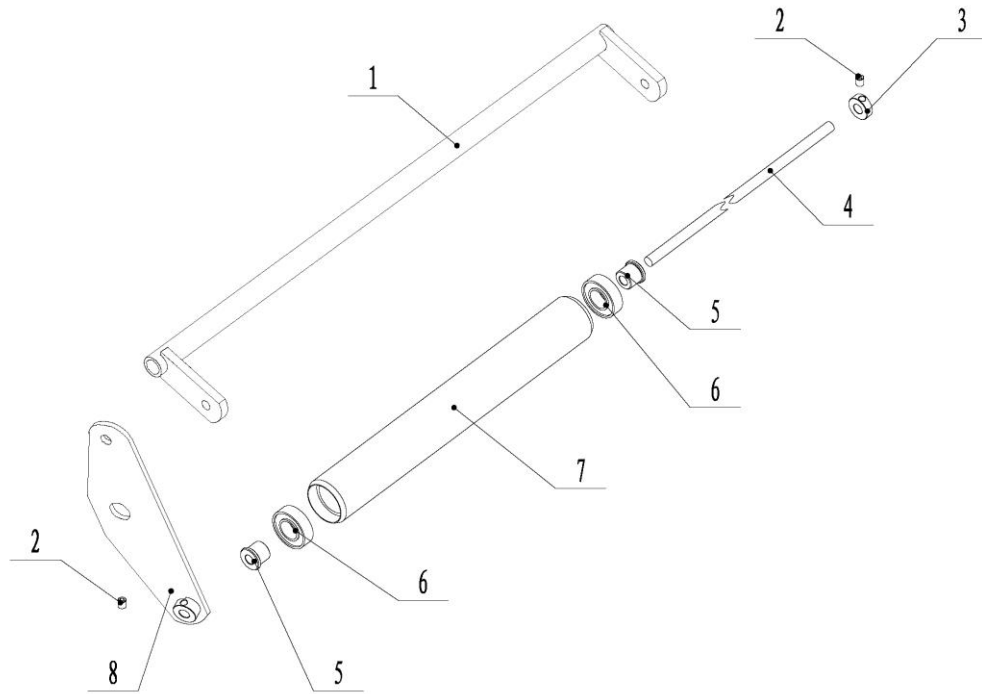


**H0907S
w/ Stand**

Back-Lapping helps improve the cutting action by removing nicks and high spots from the surfaces to create a more consistent contact between the blade and bed knife for an effective scissor cut.



20/25" Front Roller Parts Information



20" Front Roller Assembly (Item# FR-20)

Ref #	Part Number	Parts Name	Qty	Comments
1	H0939	FRAME, FR-20, GREEN	1	
2	935	SET SCREW, 5/16-24 x 5/16 KNURLED	2	
3	H0940	COLLAR, FR-20, FR-25	1	
4	H0941	ROLLER SHAFT, FR-20	1	
5	H0942	BEARING SLEEVE, FR-20, FR-25	2	
6	H0934	BALL BEARING, FR-20, FR-25 ROLLER	2	
7	H0943	ROLLER ONLY, FR-20	1	
8	H0944	BRACKET, GREEN, FR-20, FR-25	1	

25" Front Roller Assembly (Item# FR-25)

Ref #	Part Number	Part Name	Qty	Comments
1	H0945	FRAME, FR-25, GREEN	1	
2	935	SET SCREW, 5/16-24 x 5/16 KNURLED	2	
3	H0940	COLLAR, FR-20, FR-25	1	
4	H0946	ROLLER SHAFT, FR-25	1	
5	H0942	BEARING SLEEVE, FR-20, FR-25	2	
6	H0934	BALL BEARING, FR-20, FR-25 ROLLER	2	
7	H0947	ROLLER ONLY, FR-25	1	
8	H0944	BRACKET, GREEN, FR-20, FR-25	1	

Decal Set, Order #25900



Original Trimmer Decal
Order #25913